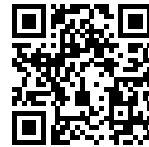


Sink GK

Kitchen Sinks

Code: 1403 000



DETAILS

Edge/Installation Type	Flush-mount Top-mount
Finish	Foster brushed
Material	AISI 304 stainless steel
Texture	Brushed in line
Base	60 cm
Dimensions	580x480 mm
Standard fittings	Fixing hooks, gasket, drain, overflow and siphon, boxed packing
Mixer holes	2 standard holes
Built-in hole	View technical data sheet

Drainer No

Width 58 cm

Bowl dimension 450x400mm

Number of bowls 1 bowl

Waste fitting Drain with automatic control SPACE

FEATURES

Automatic waste fitting The waste-fitting with round remote knob is supplied; a practical accessory which makes it unnecessary to get wet in order to drain the water from the bowl.

Diamond-shape bottom The draining of water is an important feature in a sink, and it's always taken good care of in Foster products. In the bent-welded sinks, which would have a flat bottom, the proper draining is guaranteed by the elegant beveling, which helps the water flow.

Double mixer hole The large tap counter is already fitted with a series of 2 tap holes. In the second hole it is possible to install the remote control of the automatic drain or, alternatively, a practical soap dispenser.

High thickness 1mm thick steel. A significant thickness, which guarantees the maximum sturdiness and durability.

Inclined recess A deep and inclined recess houses the burners and grigs, allowing to create a single work surface. The inclination also makes it extremely easy to clean the edges.

Perimetral overflow The overflow is always a security on the Foster sinks that prevents the overflow of water in case of oversights. The perimeter drain solution improves aesthetics thanks to its square and essential shape.

Save space system Drain and siphon are designed to leave as much space as possible in the under-sink area, more and more useful today for theseparate waste collection systems.

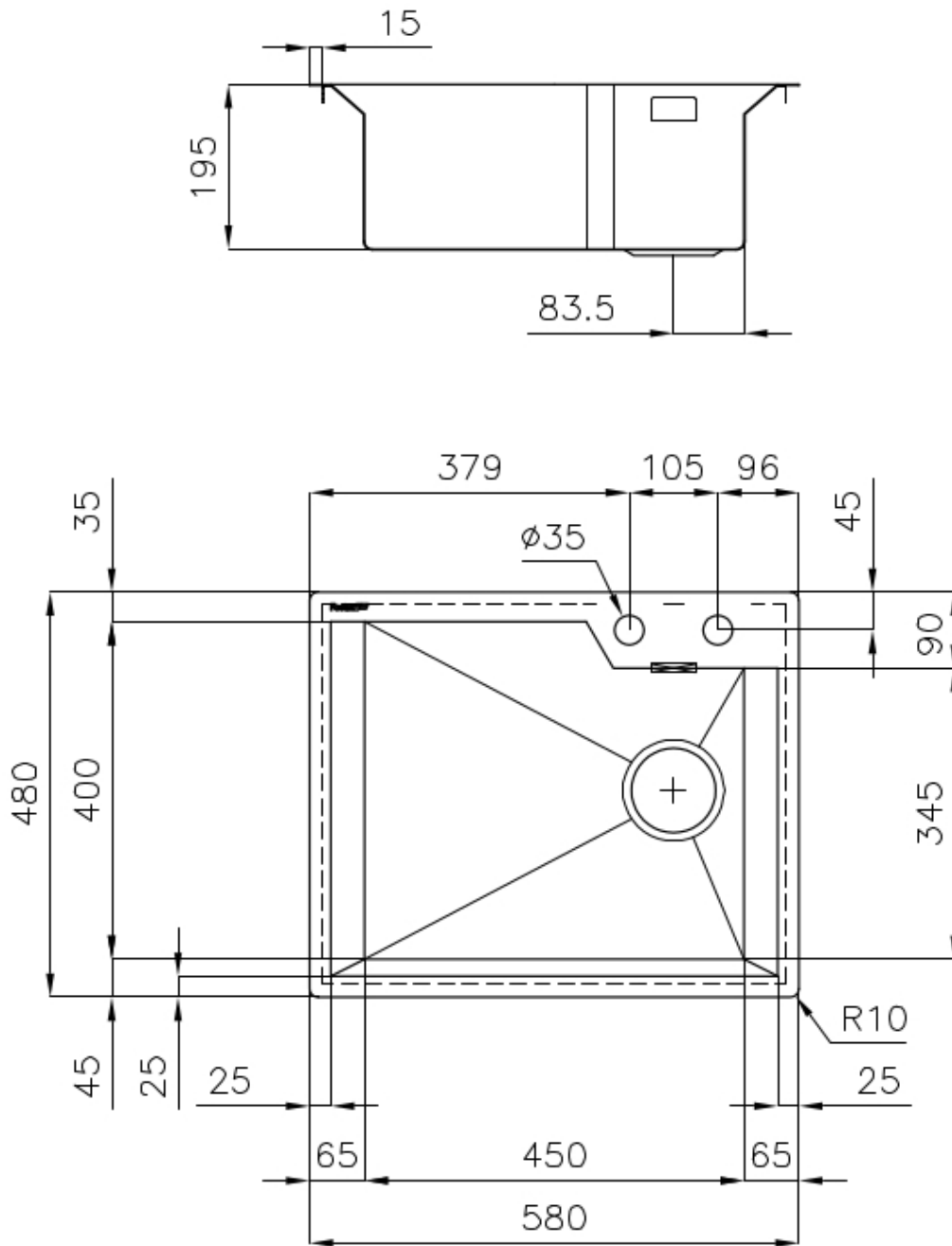
Space waste fitting

The elegant SPACE steel cap closes the drain and leaves no visible residues collected in the basket below. Space also has a small footprint and allows the optimal use of the under-sink compartment.

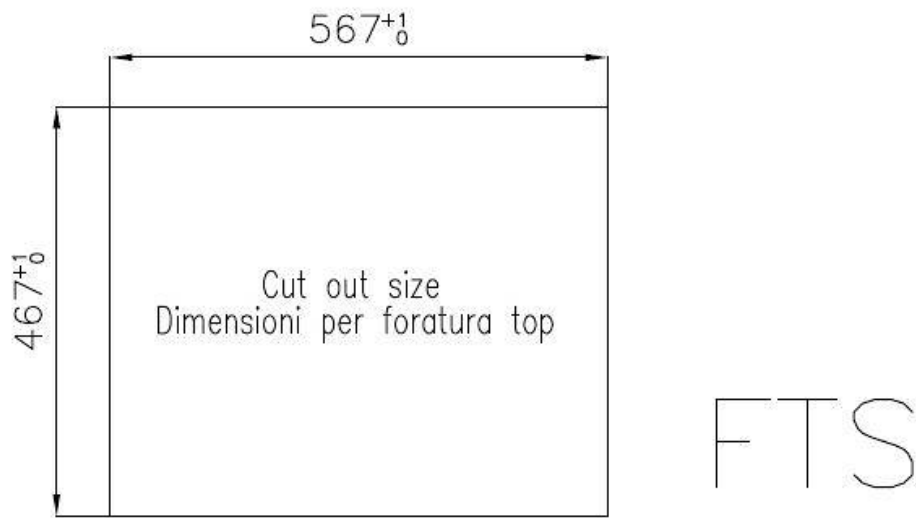
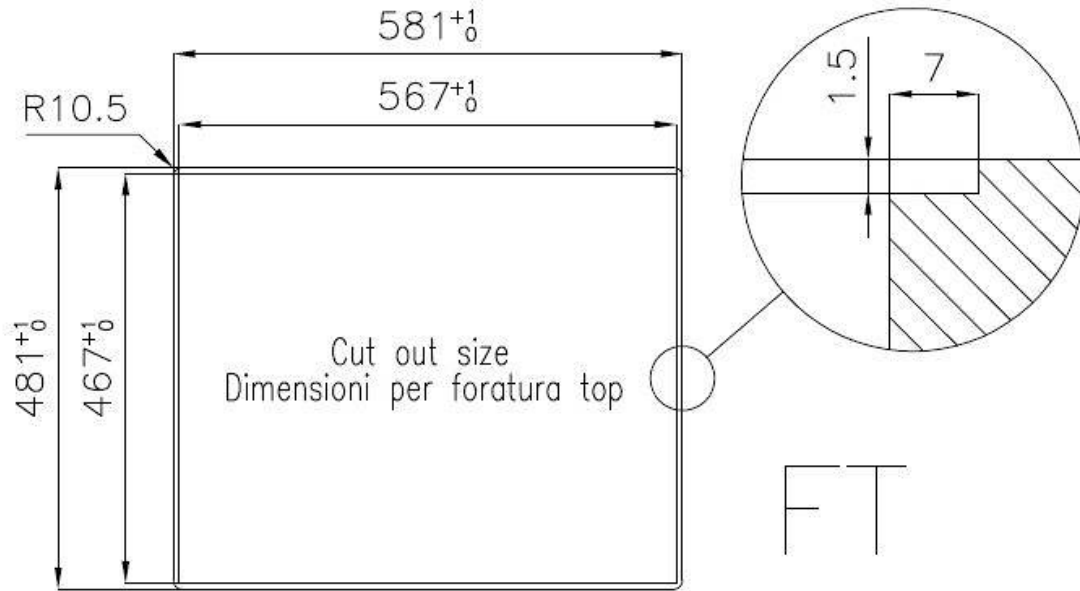
Squared bowls - 0/9 radius

The square bowls of Foster have perfectly squared vertical edges, while those on the bottom have a small radius of 9 mm that facilitates cleaning operations.

TECHNICAL DATA



Lavello serie GK cod. 1403/000



GALLERY



EQUIPMENT



Space automatic waste fitting - PA
8407108

OPTIONAL ACCESSORIES



Graters kit with ring-holder and food collection tray
8159 101



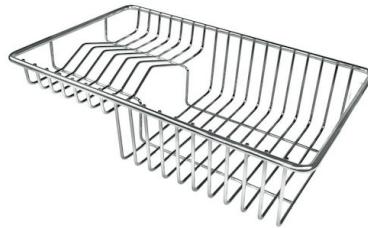
HPDE twin chopping board
8644 100



Iroko-wood sliding chopping board
8656 001



Stainless steel perforated tray
8151 000



Stainless steel plate rack
8100 303

RECOMMENDED PAIRINGS



Mixer Tap GK
8488 000